

R-34 rails for narrow gauge railways

Product description

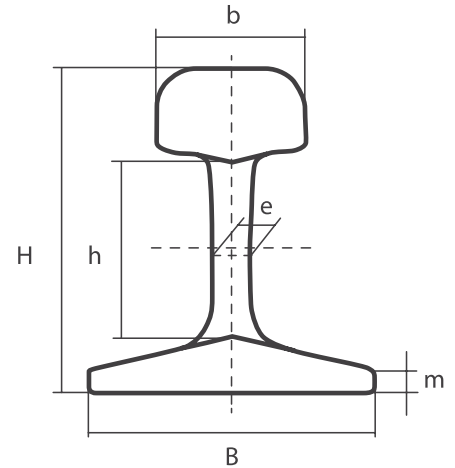
R-34 rails for narrow gauge railways are produced at Azovstal I&SW according to TT 232-14-2014 or the technical requirements of buyers.

Application

R-34 rails are used for freight trolleys, mining carts, subway and tram lines, service roadways at production sites, mobile cranes and other moving machinery. In Ukraine and the CIS, these products are actively used by mining enterprises for coal transportation.

Parameters

R-34 rails are supplied in rolled condition with lengths of 8, 10 and 11 meters.* The rails have bolt holes.



Weight, kg/m	Height of rail, mm, H	Height of fishing, mm, h	Width of head, mm, b	Width of rail foot, mm, B	Height of foot toe, mm, m	Web thickness in the middle part, mm, e
34.1	128	68	60	110	8.59	13

* Production of the rails with other lengths must be approved by the producer

Chemical and mechanical properties according to TT 232-14-2014

Steel grade**	Chemical composition, %					Tensile strength, H/mm ² , min	Hardness, HB, min
	C	Mn	Si, max	P, max	S, max		
50	0.40-0.55	0.50-1.40	0.13	0.040	0.045	570	170

** Production of the rails according to other technical requirements must be approved by the producer

Contacts

Product development

Vladimir Litvinenko
Product Development Manager
Metinvest Holding
Mobile: +38 067 544 55 05
Office: +38 062 388 15 36
vladimir.litvinenko@metinvestholding.com

Sales in Ukraine

Denis Grekov
Head of Sales
Metinvest-SMC
Mobile: +38 067 522-72-02
Office: +38 044 581 44 37
denis.grekov@metinvest-smc.com

Sales in Russia

Aleksandr Yachmennikov
Head of Sales
Metinvest Eurasia
Mobile: +7 916 985 02 15
Office: +7 495 739 26 26 доб. 7813
aleksandr.yachmennikov@metinvest-eurasia.com