

KP70 crane rails

Product description

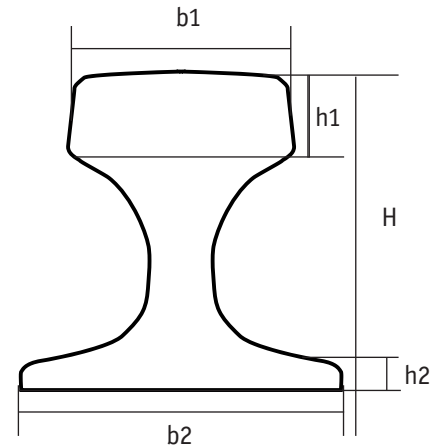
Crane rails are used for tracks for high capacity lifting cranes.

Область применения

The main consumers of crane rails are sea ports, industrial enterprises, and construction companies. They differ from other types of rails as they have wider rail heads and feet and are produced from high strength grade steel.

Parameters

KP70 crane rails are produced at Azovstal Iron and Steel Works according to DSTU 2484 and GOST 4121. Crane lengths are from 9 m to 12 m; the required size has to be approved by the mill when the order is placed.



Weight, kg/m	Height of rail, mm, H	Height of rail head, mm, h1	Width of rail head, mm b1	Width of rail foot, mm, b2	Height of foot toe, mm, h2
46.10	120	28	70	120	9

KP70 crane rail chemical and mechanical properties

Steel grade*	Массовая доля элемента, %					Tensile strength, H/mm ² , min	Hardness, HB, min
	C	Mn	Si, max	P, max	S, max		
63	0.53-0.73	0.60-1.00	0.15-0.35	0.050	0.050	730	212

* Production of rails of other grades is possible and should be agreed upon during order placement

Contacts

Product development

Vladimir Litvinenko
Product Development Manager
Metinvest Holding
Mobile: +38 067 544 55 05
Office: +38 062 388 15 36
vladimir.litvinenko@metinvestholding.com

Sales in Ukraine

Denis Grekov
Head of Sales
Metinvest Ukraine
Mobile: +38 067 522-72-02
Office: +38 062 332-52-49
denis.grekov@metinvest-smc.com

Sales in Russia

Aleksandr Yachmennikov
Head of Sales
Metinvest Eurasia
Mobile: +7 916 985 02 15
Office: +7 495 739 26 26 доб. 7813
aleksandr.yachmennikov@metinvest-eurasia.com